

Lab 6: System Identification

EECS 16B Spring 2023



Slides: <http://links.eecs16b.org/lab6-slides-sp23>

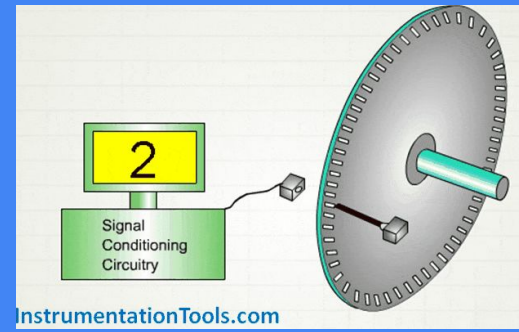
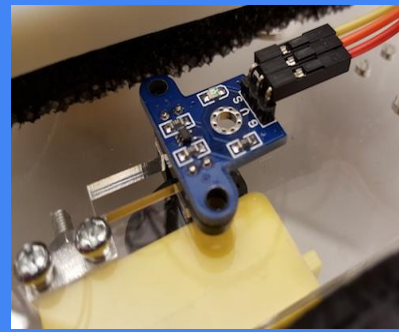
Administrivia

- If you are outside Cory 125 running your car, put both your computer number and “outside” for computer number field on help request
- Lab Grades error: <https://links.eecs16b.org/lab-checkoff-error>
- **Ensure your lab report partner is added to the Gradescope submission! Resubmissions require you to re-add your team member (past due 3/10)**

Lab 6 Overview

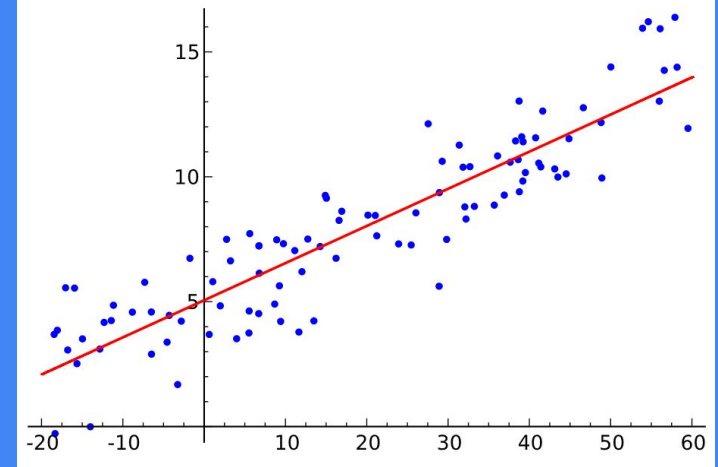
- Sensor Verification
- Model Characterization
 - Data Collection: coarse and fine data
 - Linear Parameter Estimation: least-squares regression analysis
- Determine optimal operating velocity for the car
- Next lab
 - Controls: Design and test open-loop and closed-loop controllers

Review: Encoders



- Beam of light between 2 “legs”
 - outputs voltage based on whether the beam of light is blocked or unblocked
 - Mounted on “encoder wheels,” which have many holes
 - As wheel rotates, spokes block and holes unblock the beam of light
- Can calculate velocity of car from rate of encoder value change
- 3 pins
 - “G” = ground
 - “V” = voltage (connect to breadboard positive rail, NOT Arduino’s 5V pin)
 - “S” = encoder signal (connected to Arduino)

SIXT33N Car Model and Least-Squares



Source: thoughtco

Car Model

$$\text{Left Side: } v_L[i] = d_L[i+1] - d_L[i] = \theta_L u_L[i] - \beta_L$$

$$\text{Right Side: } v_R[i] = d_R[i+1] - d_R[i] = \theta_R u_R[i] - \beta_R$$

i - current timestep

$v[i]$ - discrete time velocity

$d[i]$ - total number of ticks advanced

$u[i]$ - system input (in PWM, controlled by changing **duty cycle**)

θ - relates change in input PWM to change in velocity

β - velocity offset that encompasses real world imperfections like static friction

Read the [lab note](#) for how we solve for θ and β and least-squares review!

Least Squares Review

$$D_{data} \vec{p} \approx \vec{s}$$
$$\begin{bmatrix} u[0] & -1 \\ u[1] & -1 \\ u[2] & -1 \\ \vdots & \vdots \\ u[\ell-1] & -1 \end{bmatrix} \begin{bmatrix} \theta \\ \beta \end{bmatrix} \approx \begin{bmatrix} v[0] \\ v[1] \\ v[2] \\ \vdots \\ v[\ell-1] \end{bmatrix}$$

- We rearrange our encoder model to resemble a linear equation:
 - Our equation takes the form: $A\mathbf{x} = \mathbf{b}$
 - We can solve this equation using Linear Least Squares, to find the best fit parameters

$$\mathbf{x} = (A^T A)^{-1} A^T \mathbf{b}$$

$$\vec{p} = (D_{data}^T D_{data})^{-1} D_{data}^T \vec{s}$$

- We know $u[i]$ and $v[i]$, but want to find θ and β
- Numpy has helpful built-in functions:
 - `Numpy.linalg.lstsq` and `numpy.vstack/numpy.hstack` -> look at the documentation!
 - Transpose arrays with `array_name.T`

Determine Operating Point

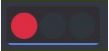

$$v_L[i] = d_L[i+1] - d_L[i] = \theta_L u_L[i] - \beta_L$$
$$v_R[i] = d_R[i+1] - d_R[i] = \theta_R u_R[i] - \beta_R$$

- We measure v , we know u (that's our input PWM)
 - We can find θ and β from least squares
- Determine operating velocity point: What v^* should we use? Make sure you check that the chosen v^* works well with your model!
- Looking ahead to next lab ... open-loop control
 - We can figure out the input u we need to set to achieve a target velocity v^*
 - Does open-loop control work well for systems with disturbances?

Letting Your Car Run Free

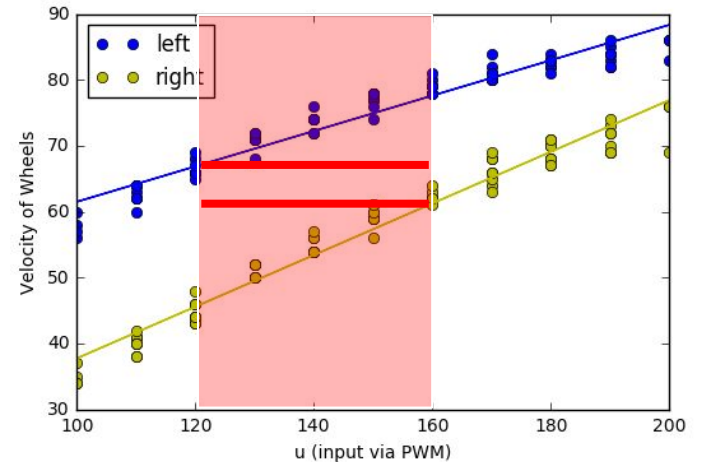


Collecting “Coarse” Data

- Let car run outside and collect data
 - After a brief delay, the car will begin driving
 - Arduino LEDs countdown 
 - Power the circuit when you are outside
 - The Arduino will sweep through a wide range of PWM values
 - Should see it start fast, slow down, and speed back up before stopping
 - Car will not drive straight (most of the time) 
- After finishing, upload data from Arduino to your computer
 - All 3 Arduino LEDs should blink to indicate that data is available for download
 - DO NOT unplug the Arduino Vin and plug in the USB (yes, at the same time)
 - Type in anything to serial monitor and hit enter to see your data printed

Collecting Fine Data

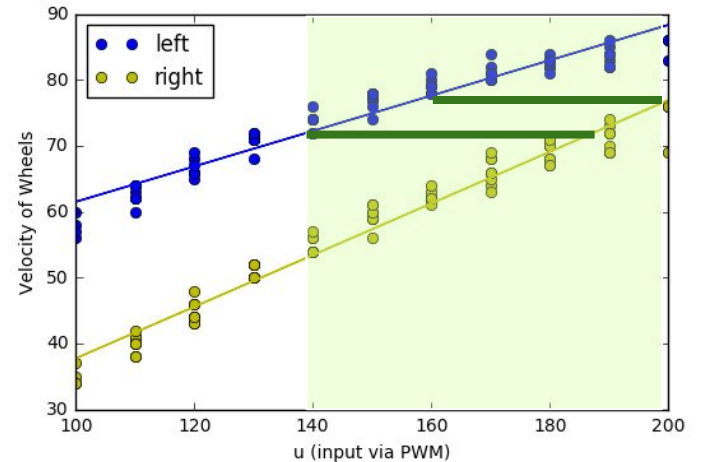
- After collecting “coarse” data, we will zoom into a linear range– where we can model the velocity response to PWM using linear parameters
- Choose a range of PWM values where both wheels can reach the same velocity for some PWM within the range



No overlapping range!

Collecting Fine Data

- After collecting “coarse” data, we will zoom into a linear range– where we can model the velocity response to PWM using linear parameters
- Choose a range of PWM values where both wheels can reach the same velocity for some PWM within the range



Overlapping range! Yay!

Powering the Car and Arduino

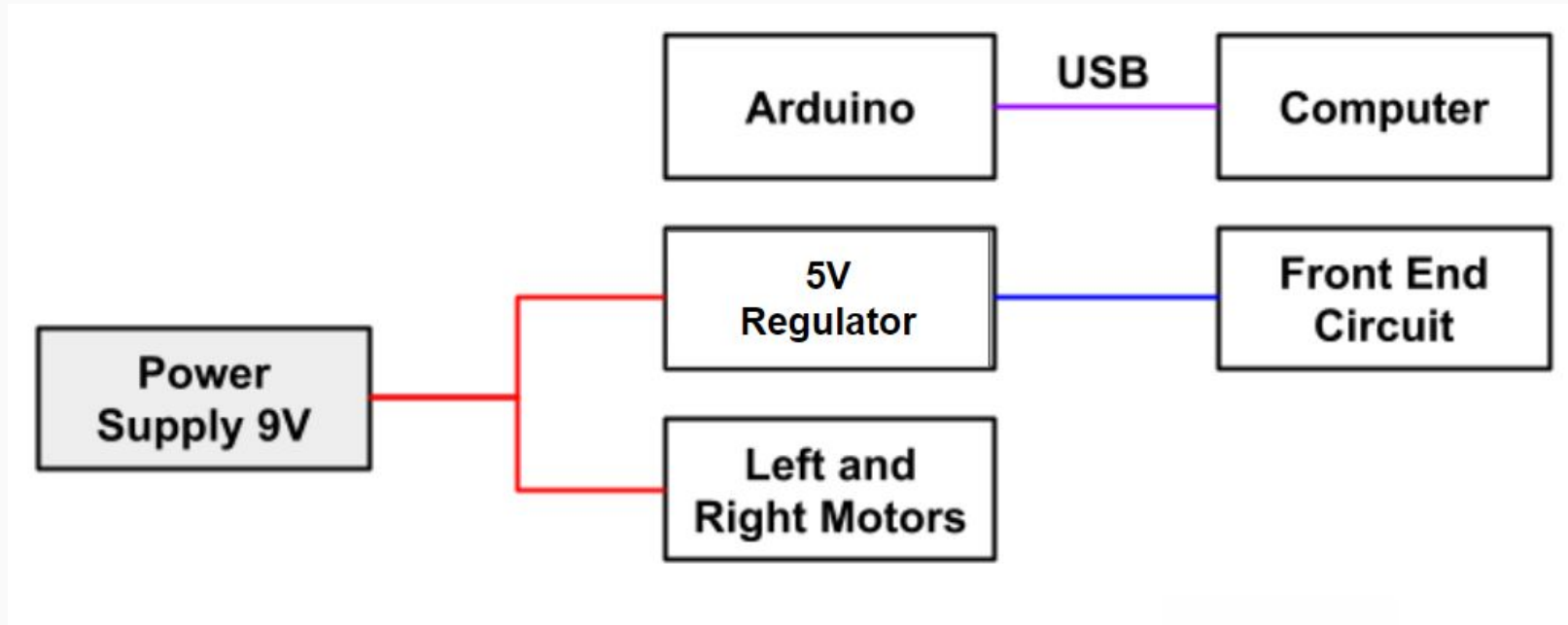
Powering your car

- Use two 9V batteries
 - One for regulator circuits (and sometimes Arduino), one for motors
 - When using the batteries, the **RED** is 9V and **BLACK** is GND
- When at the lab benches, use power supply and **NOT** batteries
 - Save batteries for when you're letting the car drive around
 - You'll need to replace batteries if they drain too low (<~7V or when motors stop running)
- Unplug the batteries when not in use to avoid draining them!
- Remove battery clips after lab to avoid accidental shorts!

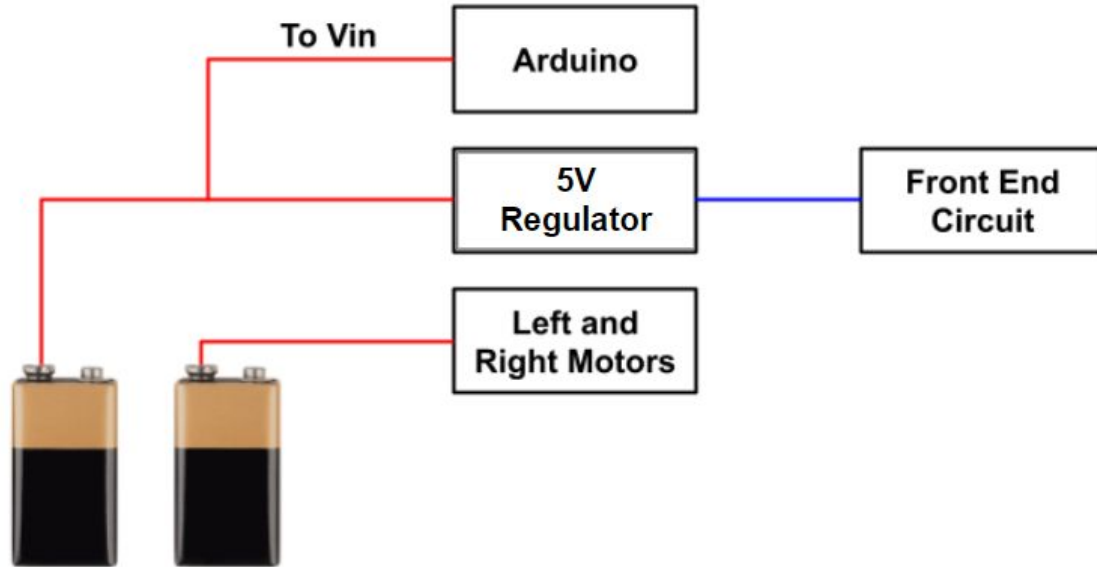
Powering your Arduino

- Arduino has 2 input power options: USB and 7-12V pin
 - Tethered: Use USB when you're uploading code and downloading data
 - Mobile: Use Vin pin (connected to 9V from the regulator battery) when car is driving around
- **Ensure that you plug in BOTH USB and Power when collecting data**

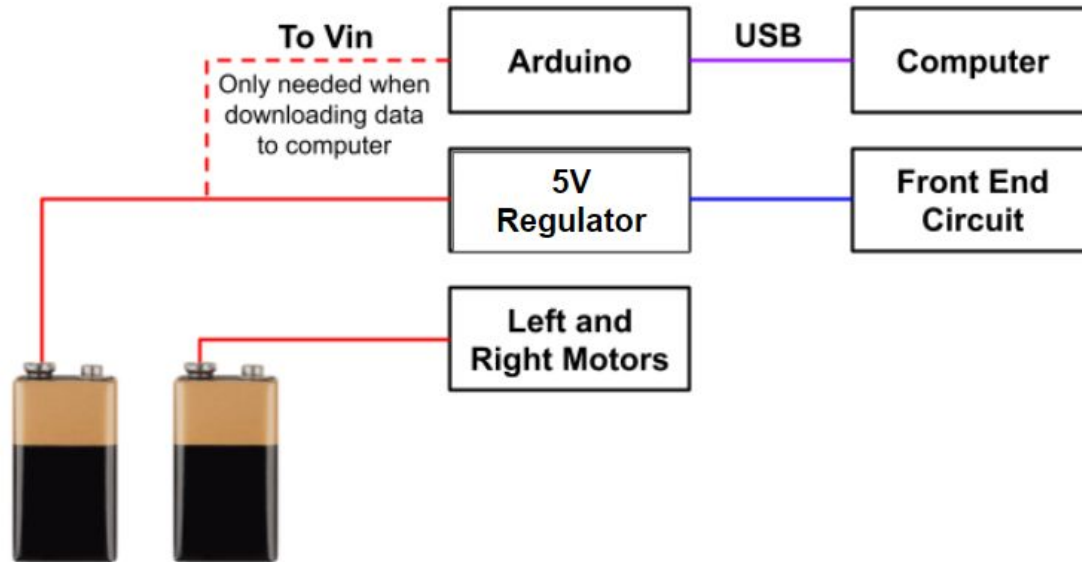
Tethered Powering: uploading code



Mobile Powering: driving car around



Data Recovery: downloading data



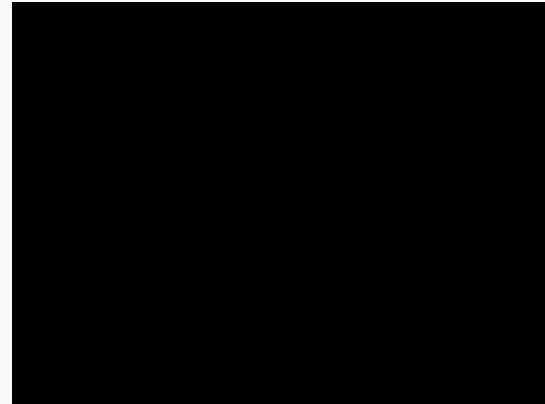
Analyzing Data

- How well does your model fit your data?
 - Do the lines look like they match up with the dots?
 - Do the velocities of the wheels make sense?
 - Are there different ranges of velocities where our linear model fits better than others?
- Common Bugs
 - Data is flat despite wheels turning → rerun encoder tests
 - Isolate issues by using symmetry to your advantage if one side works → swap components to see if it is a circuit, wire, encoder, or Arduino pin issue

Tips, Tricks, and Warnings



- Collect data in wide, flat area (hallways outside Cory 125)
 - Try to reposition car so that it doesn't hit any walls
 - If car is going to hit a wall, quickly pick it up and change its direction before it collides
- Car's orientation
 - **When the car is moving, the castor wheel should always be at the back of the car**



Important Forms/Links

- Help request form: <https://eecs16b.org/lab-help>
- Checkoff request form: <https://eecs16b.org/lab-checkoff>
- Extension Requests: <https://eecs16b.org/extensions>
- Makeup Lab: <https://makeup.eecs16b.org>
- Slides: links.eecs16b.org/lab6-slides-sp23
- Anon Feedback: <https://eecs16b.org/lab-anon-feedback>
- Lab Grades error: <https://links.eecs16b.org/lab-checkoff-error>